

TrueNAS® F-Series User Manual

v.23121



Contents

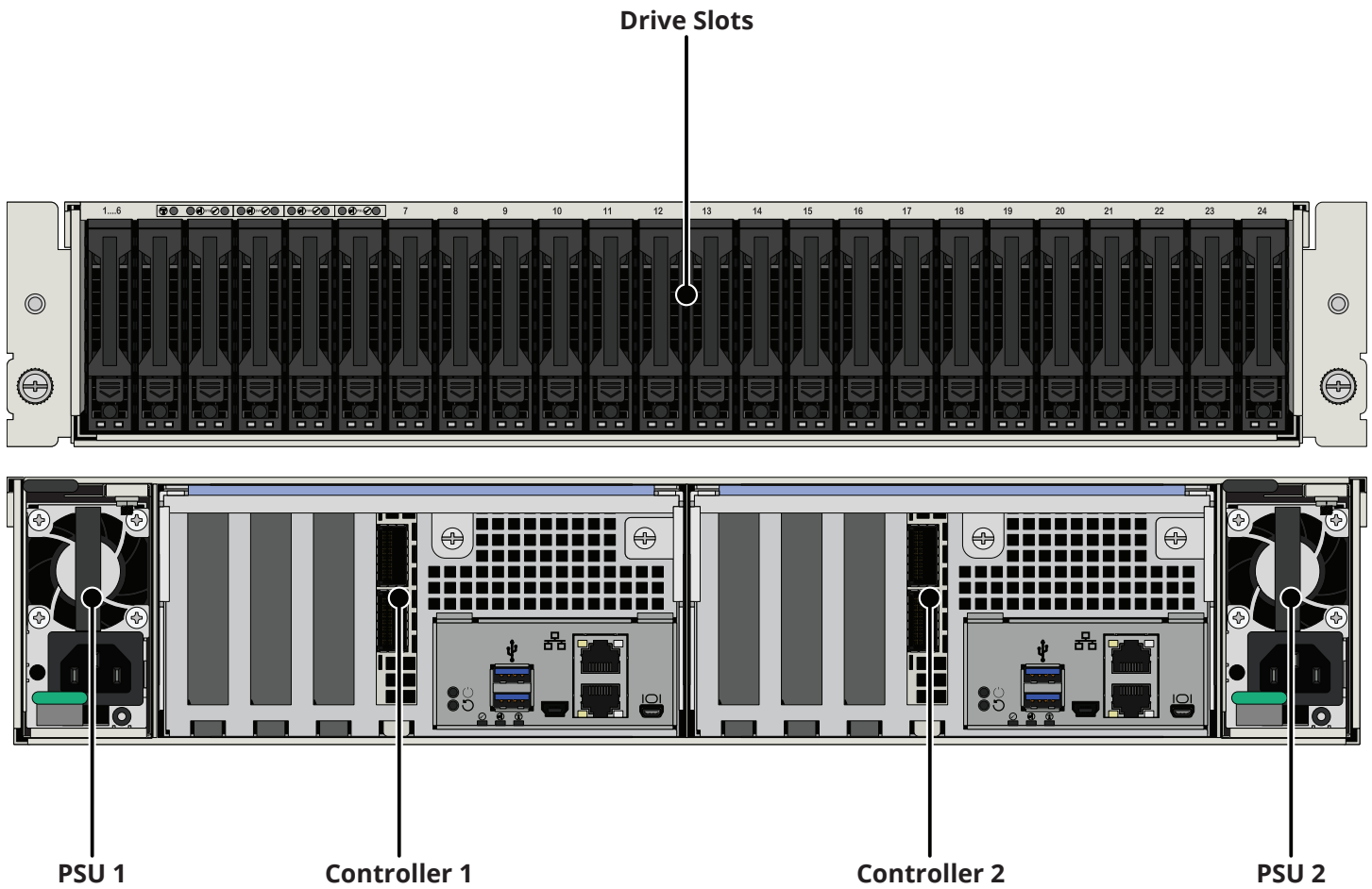
1 Introduction	1
2 Safety	2
2.2 Anti-Static Precautions	2
2.3 Personal Protective Equipment (PPE)	2
2.4 Handling the System	2
3 Specifications	3
3.1 Enclosure	3
3.2 PCIe Population	3
3.3 Memory Allocation	3
4 Space Requirements	3
5 Recommended Tools	3
6 Buttons, Ports, and Indicators	4
6.1 Front Indicators	4
6.2 Drive Indicators	4
6.3 Rear Buttons, Ports, and Indicators	5
7 Racking Procedure	6
7.1 Remove Chassis Rail from Rack Rail	6
7.2 Install the Chassis Rail on the System	7
7.3 Install the Rack Rail in the Rack	8
7.4 Install the System in the Rack	9
7.5 Install the Cable Management Arm (CMA)	10
8 Install Cables	10
8.1 NIC Cabling	11
9 Unracking Procedure	12
9.1 Remove the CMA	12
9.2 Uninstall the System from the Rack	13
9.3 Remove the Rack Rails	14
10 Drive Replacement	15
10.1 Remove Drive Tray	15
10.2 Remove a Drive From a Tray	16
10.3 Install a Drive in a Tray	16
10.4 Install a Drive Tray in the System	17
11 BMC Credentials	18
11.1 Default Password	18
11.2 Changing BMC Password	18
12 Additional Resources	19
13 Contacting iXsystems	19

1 Introduction

The TrueNAS F-Series is a 2U, 24-bay, High-Availability storage array with redundant power supplies.

Your system comes with the TrueNAS SCALE operating system preloaded.

Review the safety considerations and requirements before interacting with the F-Series.



2 Safety

2.2 Anti-Static Precautions

⚠ Warning - Electrostatic Discharge (ESD)

Static electricity can build up in your body and discharge when touching conductive materials. Electrostatic Discharge (ESD) is harmful to sensitive electronic devices and components. Keep these safety recommendations in mind before opening the system case or handling non-hot-swappable system components.

- Turn off the system and remove power cables before opening the case or touching internal components.
- Place the system on a clean, hard work surface like a wooden tabletop. Use an ESD dissipative mat if possible to protect the internal components.
- Touch the metal chassis with your bare hand to dissipate static electricity in your body before handling any internal components, including components not yet installed in the system. We always recommend wearing an anti-static wristband and using a grounding cable.
- Store all system components in anti-static bags.

2.3 Personal Protective Equipment (PPE)

⚠ Warning - PPE

Wear proper PPE, like anti-static wrist straps and smocks before touching any sensitive equipment inside the chassis. If you are unsure how to properly replace any parts, contact iXsystems Support.

2.4 Handling the System

Hold the system from the sides or bottom whenever possible. Always be mindful of loose cabling or connectors, and avoid pinching or bumping these elements.

These instructions use “left” and “right” according to your perspective when facing the front of a system or rack.

⚠ Warning

The F-Series weighs 58 lbs fully-loaded and requires a minimum of **two** people to lift.

When handling rails, system components, or drives, never force movement if a component seems stuck. Gently remove the component and check for pinched cables or obstructing material before installing it again. Installing a component with excessive force can damage the system or cause personal injury.

3 Specifications

3.1 Enclosure

Drive Count	24 2.5" NVMe SSD	
Cooling Fans	5 plus one 1 redundant	
Power Supplies	2	
Storage Controllers	2	
Dimensions (H x W x L)	3.43" x 17.2" x 27.44"	87mm x 438mm x 697mm
Net Weight (Fully Loaded)	58.7 lbs	26.7 kg
Operating Temperature	41°F ~ 95°F	5°C ~ 35°C
Non-Operating Temperature	-40°F ~ 140°F	-40°C ~ 60°C
Vibration	0.10G at 5 Hz to 500 Hz	

3.2 PCIe Population

Model	Slot 1	Slot 2	Slot 3	Slot 4
F60	100G NIC (Optional)	100G NIC (Optional)	--	--
F100	100G NIC	100G NIC (Optional)	100G NIC (Optional)	--

3.3 Memory Allocation

Model	A	B	C	D	E	F	G	H	Total
F60	64GB	64GB	64GB	64GB	64GB	64GB	64GB	64GB	512GB
F100	64GB	64GB	64GB	64GB	64GB	64GB	64GB	64GB	512GB

4 Space Requirements

The F-Series requires at least 2U of rack space in an EIA-310 compliant rack.

The system is 38.9" long with the CMA. The rack posts must be between 30" and 37" apart to install the rail kit. Review your rack setup to ensure the F-Series fits in the rack with any front or back rack doors closed.

We recommend having at least four feet of space in front of the rack to account for the system fully extended on the rails and personnel servicing the front of the system.

We also recommend having at least 32 inches of space behind the rack to account for cable management and personnel serving the back of the system.




5 Recommended Tools

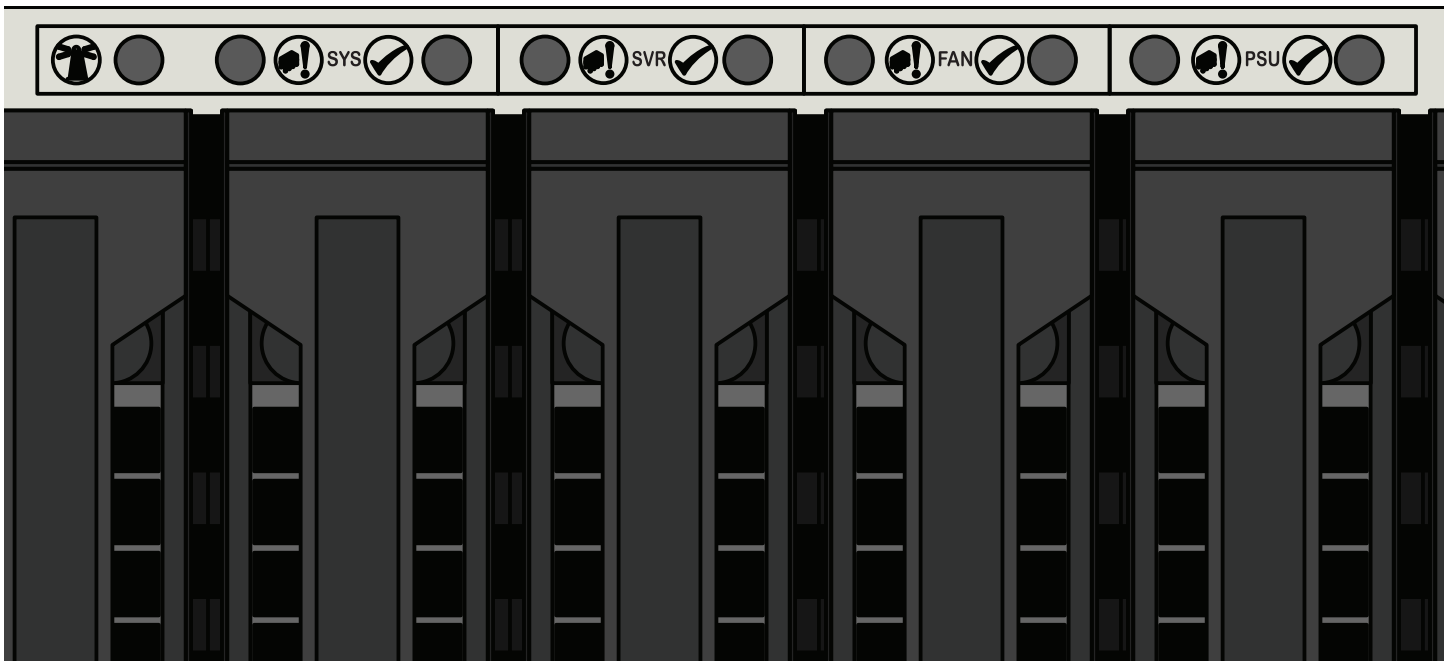
We recommend these tools when interacting with the TrueNAS F-Series:

- #2 Phillips head screw driver
- Flat head screw driver
- Tape measure
- Level

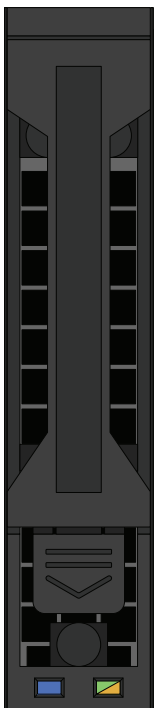
6 Buttons, Ports, and Indicators

6.1 Front Indicators

Light	Color and Indication
	Blue (Solid): Locate ID Active
	Amber (Solid): Component Fault
	Green (Solid): Component Ready

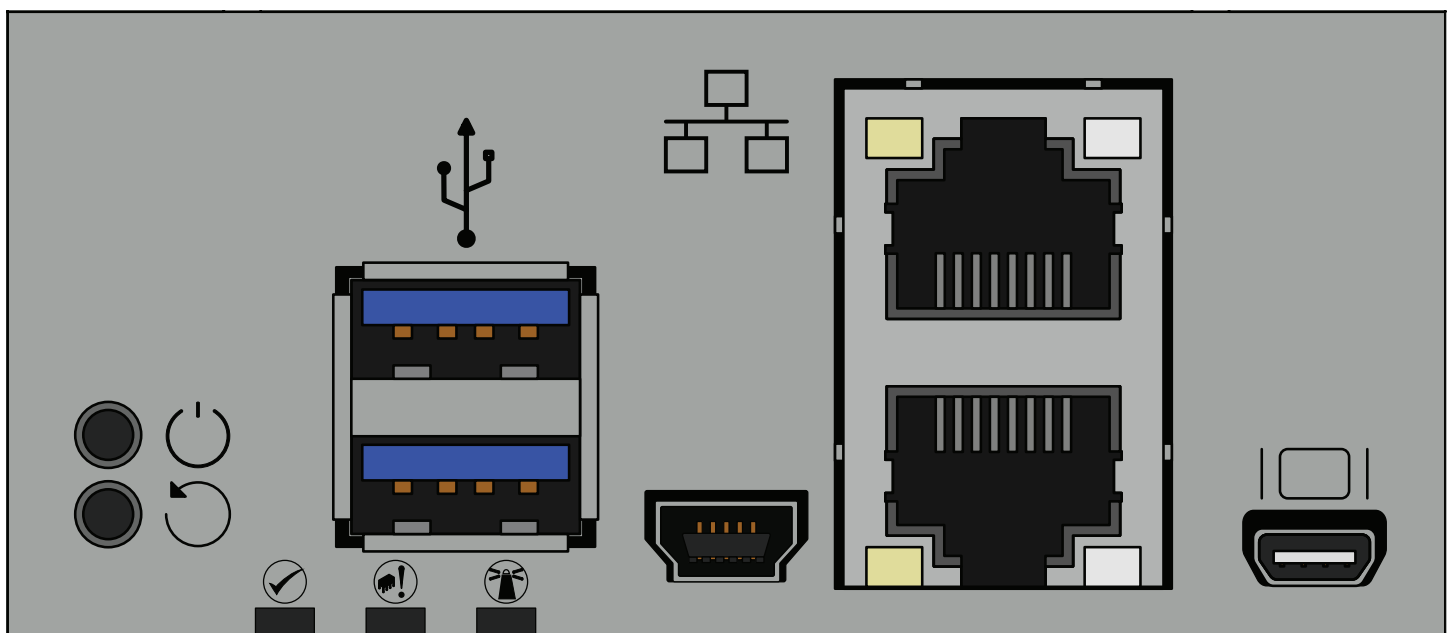
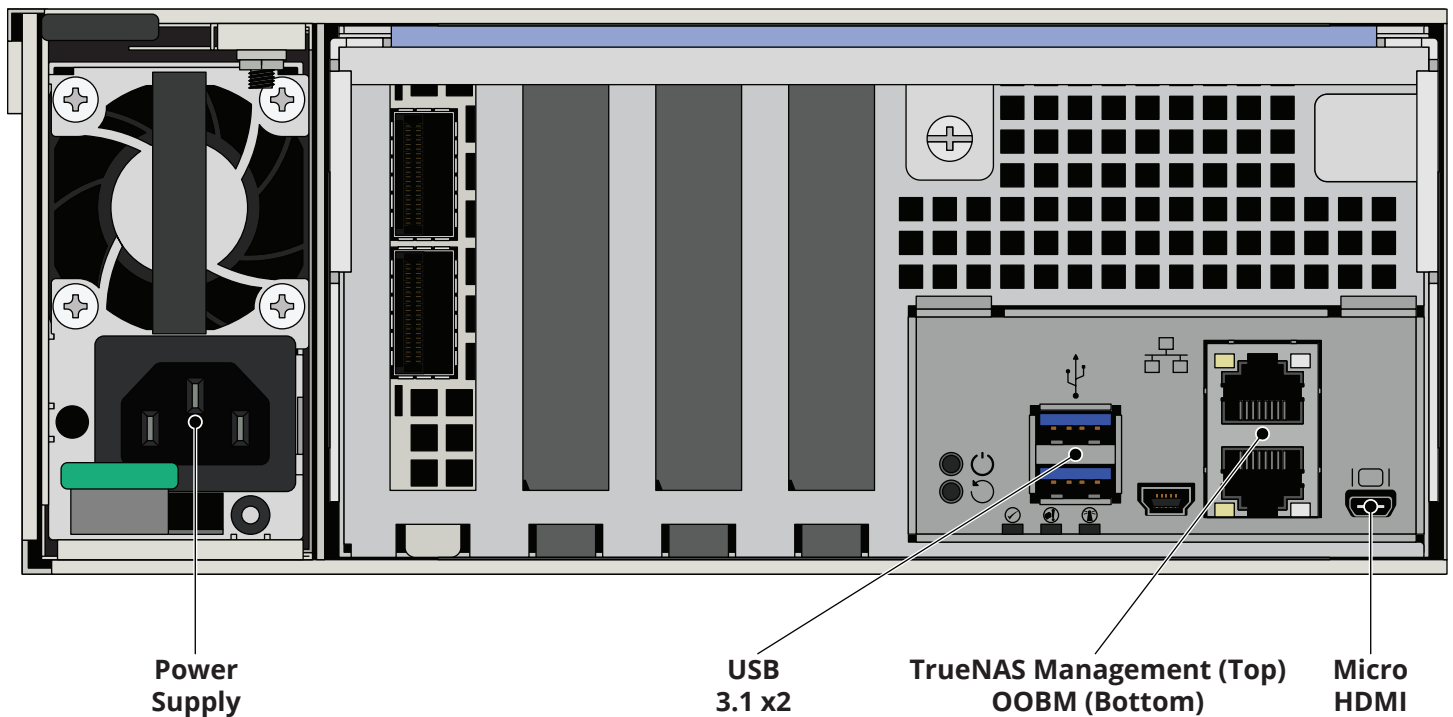


6.2 Drive Indicators



Light	Color and Indication
Left LED	Blue (Flashing): Locate ID Active
Right LED	Green (Flashing): Drive Activity
Right LED	Amber (Solid): Drive Fault
Right LED	Amber (1Hz Flashing): Linking
Right LED	Amber (2Hz Flashing): Link Failure

6.3 Rear Buttons, Ports, and Indicators



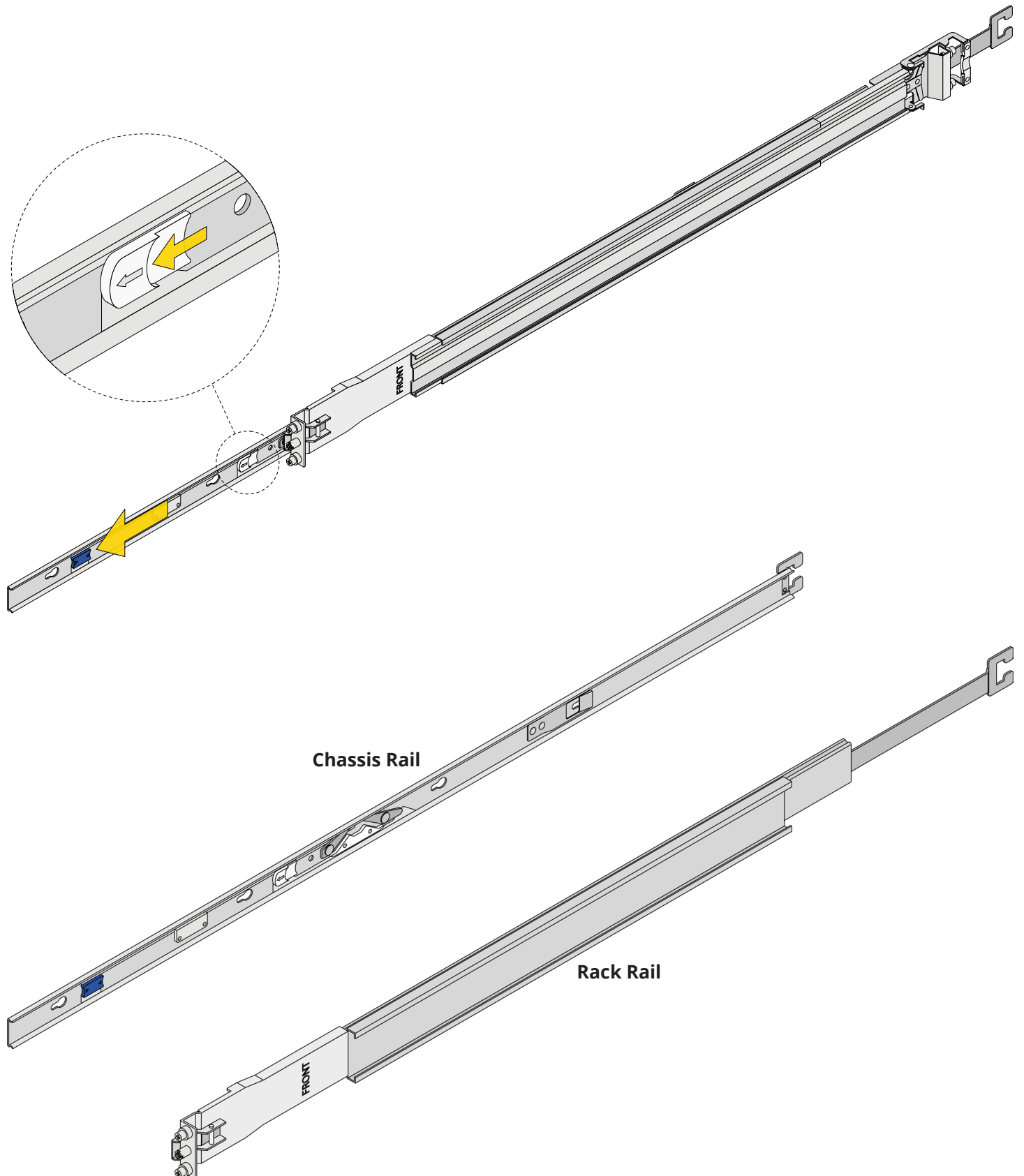
Light / Button	Color and Indication
	Blue (Solid): Locate ID active / Blue (Flashing): Service Allowed
	Amber (Flashing): Controller Fault
	Green (Solid): Controller Ready
	Powers the system on/off
	Resets the system.

7 Racking Procedure

7.1 Remove Chassis Rail from Rack Rail

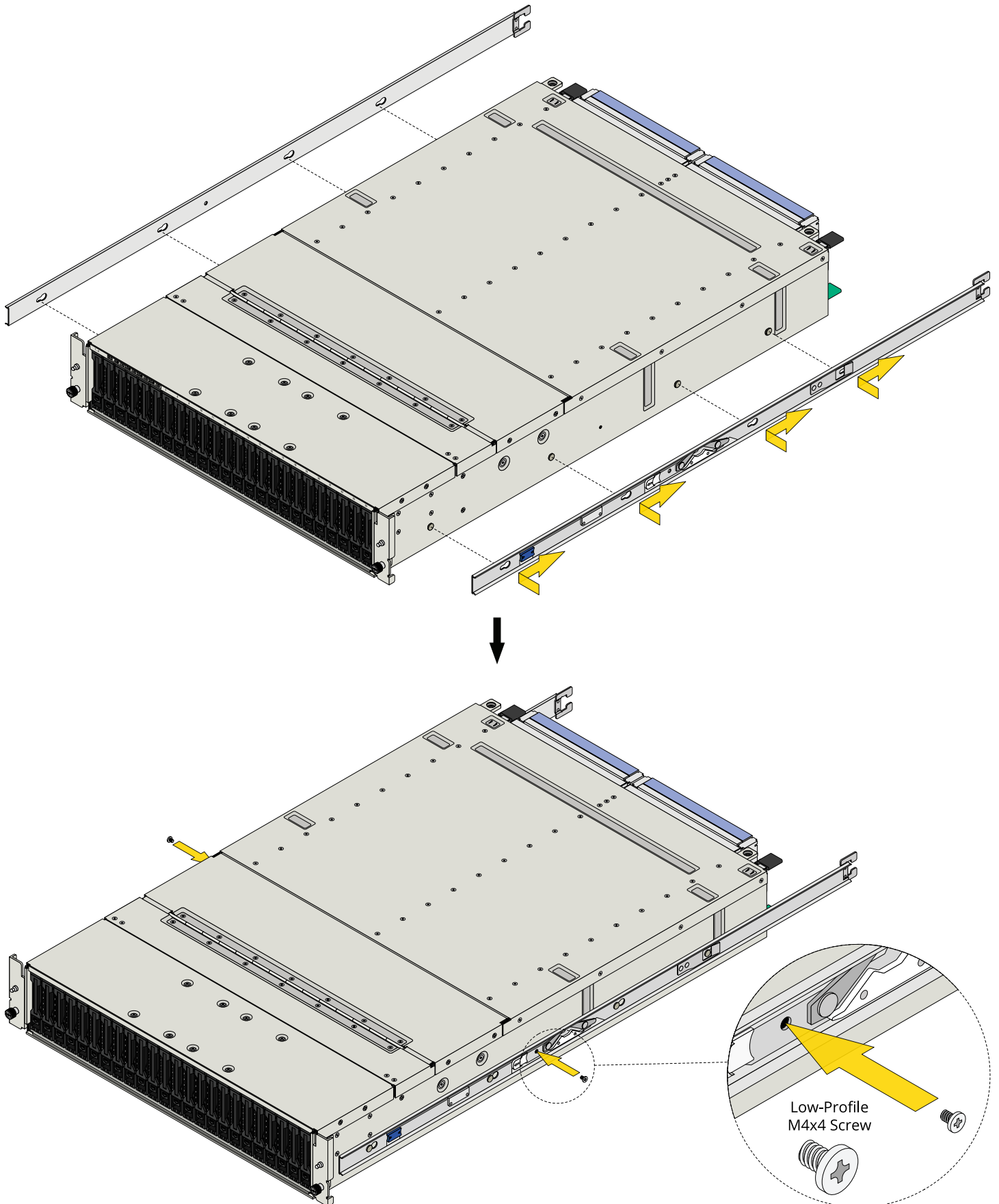
The rail kit separates into two pieces, the inner chassis rail and the outer rack rail.

Slide the inner chassis rail out of the rack rail until it stops, then pull the white tab and remove the chassis rail.



7.2 Install the Chassis Rail on the System

Fit the rail keyholes over the mounting pegs on the system and slide the rail toward the back of the system until it locks. Use a low-profile M4x4 screw to secure the rail to the chassis. Repeat the process for the second chassis rail.



7.3 Install the Rack Rail in the Rack

Tip - Rack Spacing

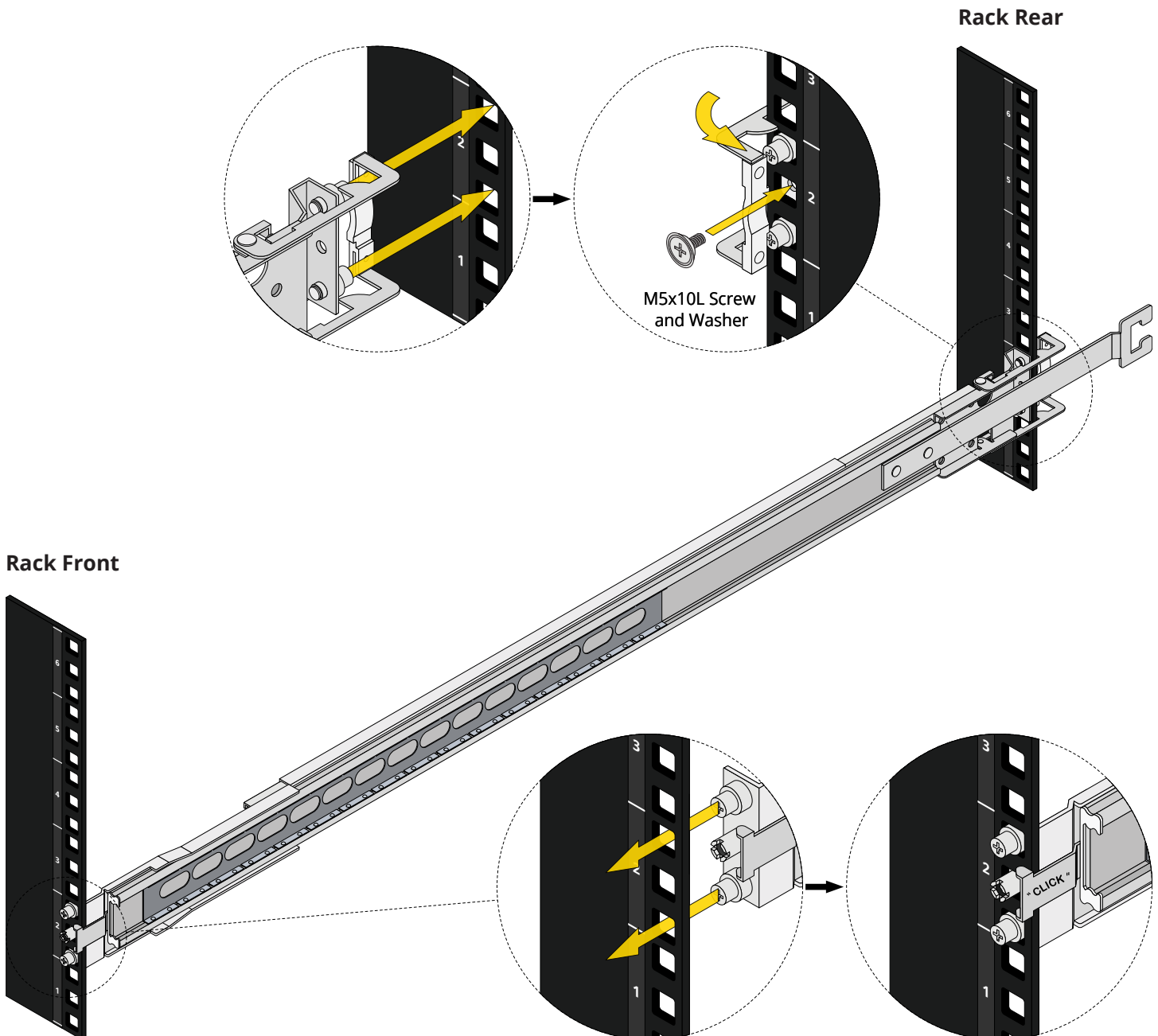
To ease field servicing, we recommend you avoid installing the F-Series between two other systems if possible.

Place the rail in the rack with the front end towards the front of the rack. Align the rear pins with the rear rack mounting holes in the bottom 2U of reserved rack space. Swing the gray latch handle open and pull it to extend the rail until the rail pins are fully seated in the rack holes. Release the latch to lock the rail in place, then secure the rail to the rack by installing one M5x10L screw and washer between the rail pins.

At the front of the rail, align the pins with the front rack holes, then push the pins into the holes until the latch clicks.

Ensure you mounted the front and rear rail pins in the same U in the rack and that the rail is level.

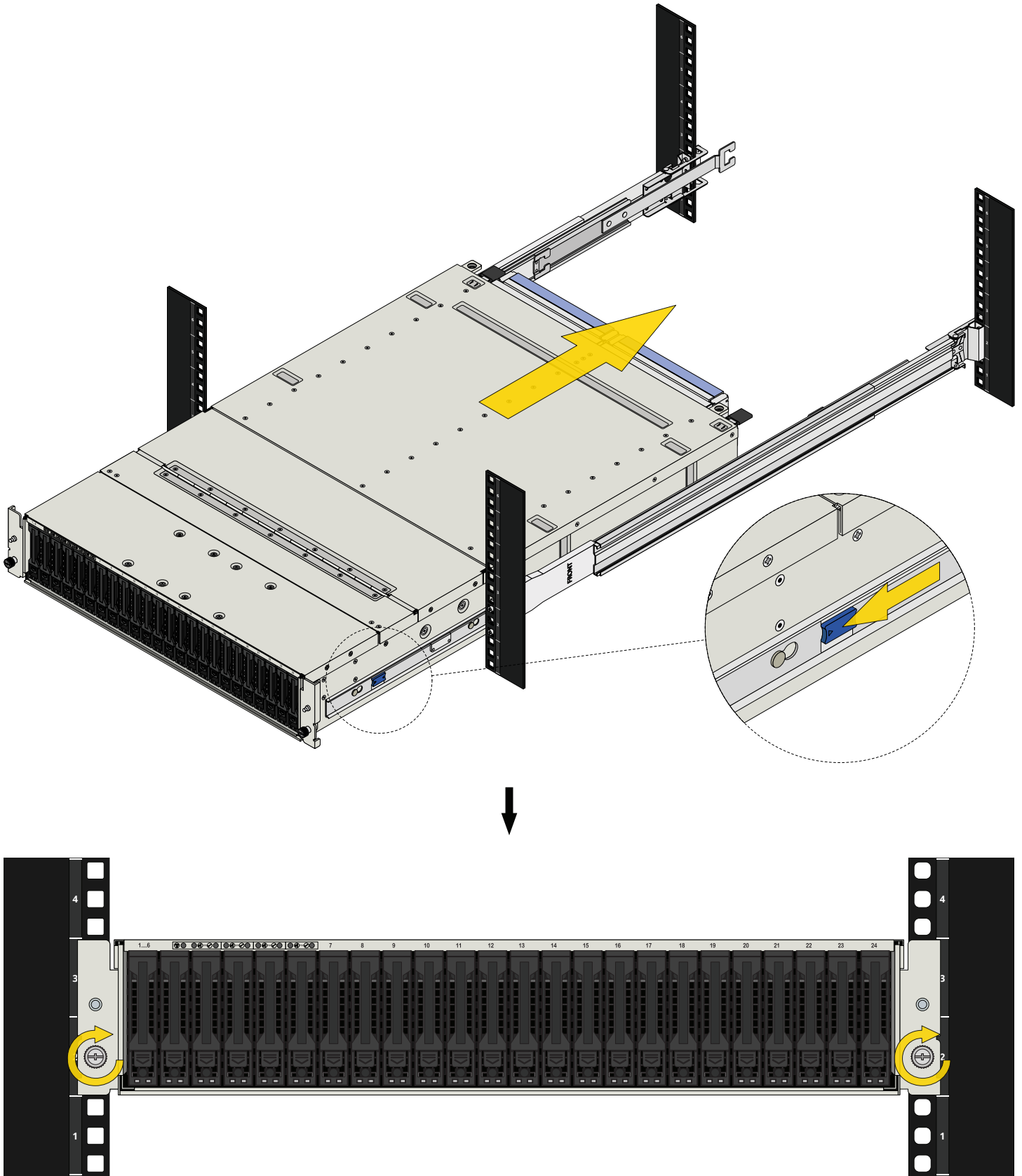
Repeat the process for the second rack rail.



7.4 Install the System in the Rack

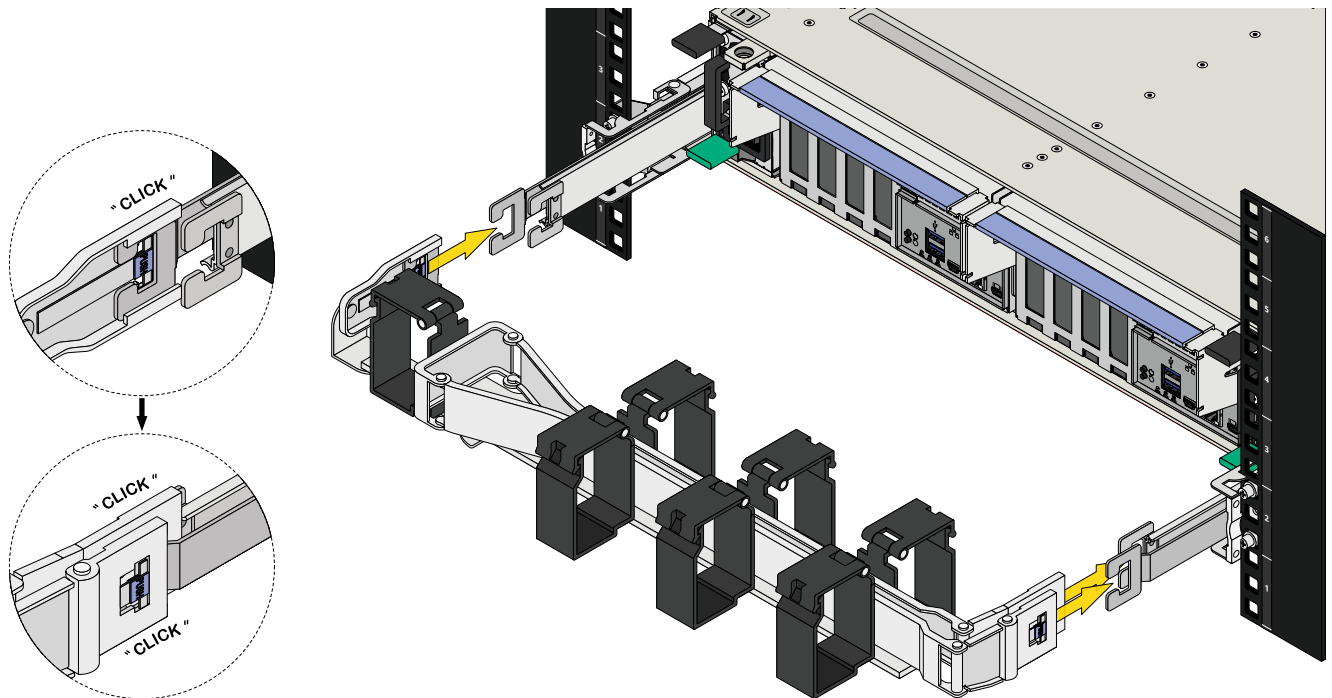
Team-lift the system and align the chassis rails with the rack rails. Slide the ends of the chassis rails into the rack rails and push the system into the rack until the metal safeties click and lock.

Pull the blue release tabs towards the front of the system and finish pushing the system into the rack. Tighten the thumbscrews to secure each system ear to the rack.



7.5 Install the Cable Management Arm (CMA)

Starting with the left side, push the post onto the left bracket. On the right side, push the inner post onto the inner bracket, then push the outer post onto the outer bracket. The CMA posts click and lock when installed correctly.

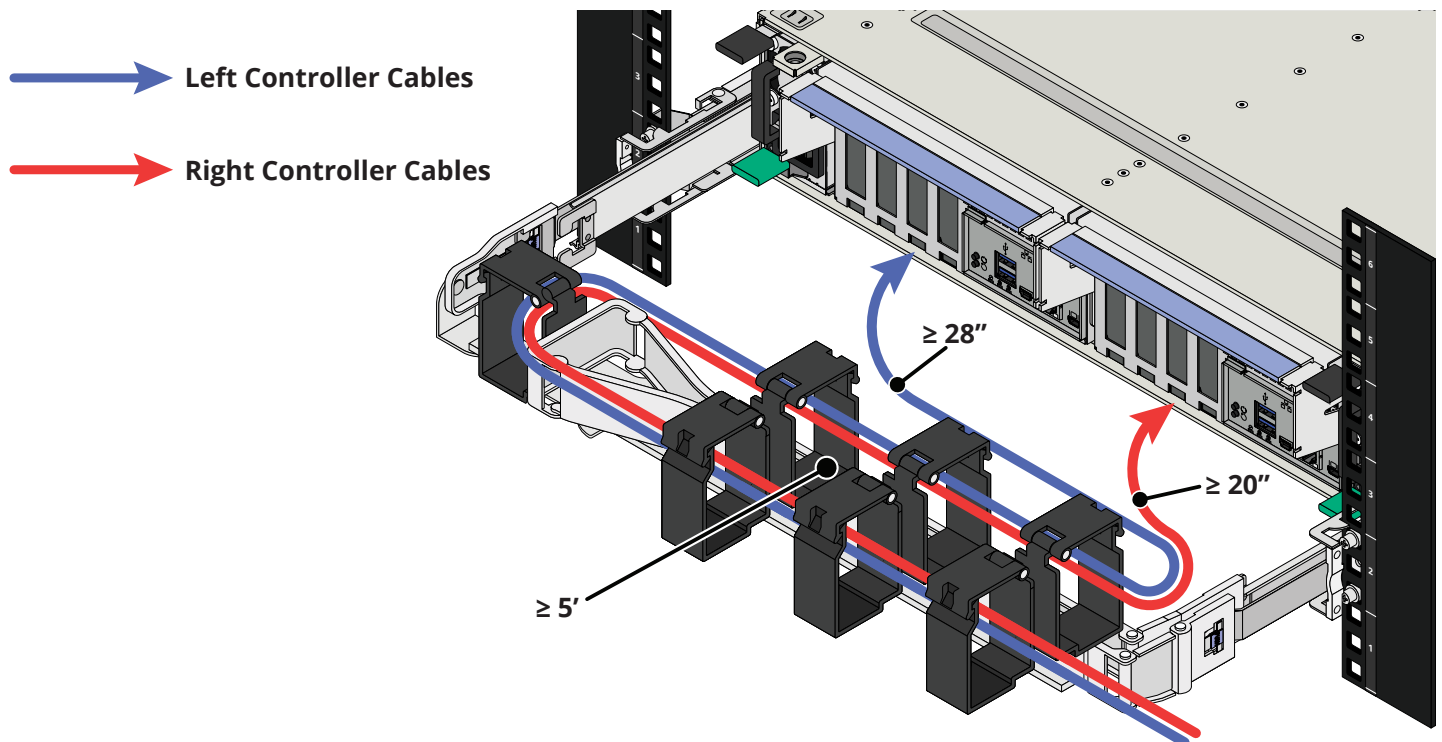


8 Install Cables

Open the black baskets on the CMA and route all the wires for both controllers. Ensure the left-side wires have at least 28 inches of slack between the system and the CMA. The right-side wires should have at least 20 inches of slack between the system and the CMA. All cables going through the CMA should be at least five feet long overall.

Tip - Cabling

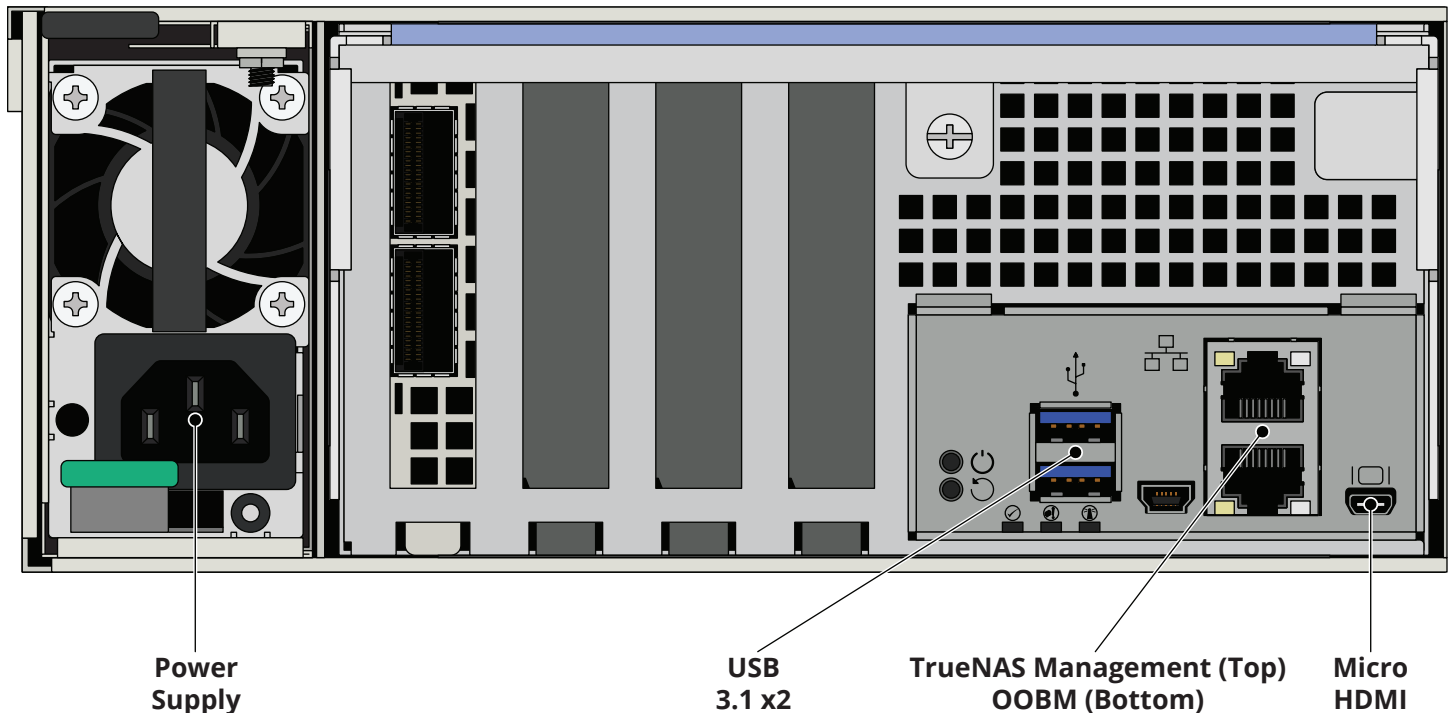
We recommend bundling the cables for each controller using the included velcro straps to make servicing easier.



Connect ethernet network cables from your local switch or management network to the OOBM and network ports on both controllers.

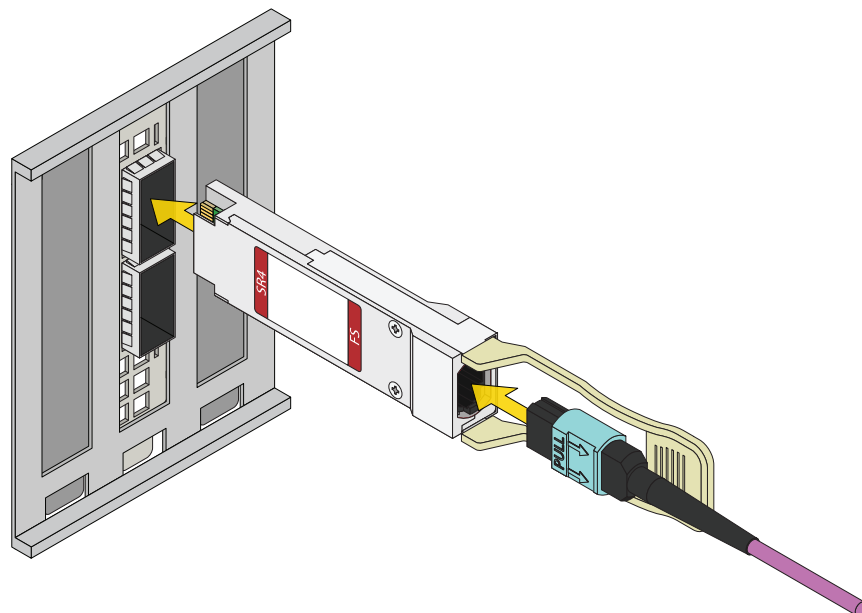
Next, connect a monitor to one of the Micro HDMI ports using the VGA adapter, then connect a keyboard to a USB port on the same controller.

Finally, connect the power cables to both power supplies, then plug them into a power distribution unit.



8.1 NIC Cabling

If you ordered additional networking cards with your system, you can set them up now. Insert the SR optics into the first port on the NIC, then plug the SR cable into the back of the SR optics. The optics and the cable click and lock into place when installed correctly. Repeat for all remaining ports.



Tip - Cable Management

Before continuing, test your cable setup by sliding the system out of the rack. The cables should move freely with the CMA without pinching or coming loose.

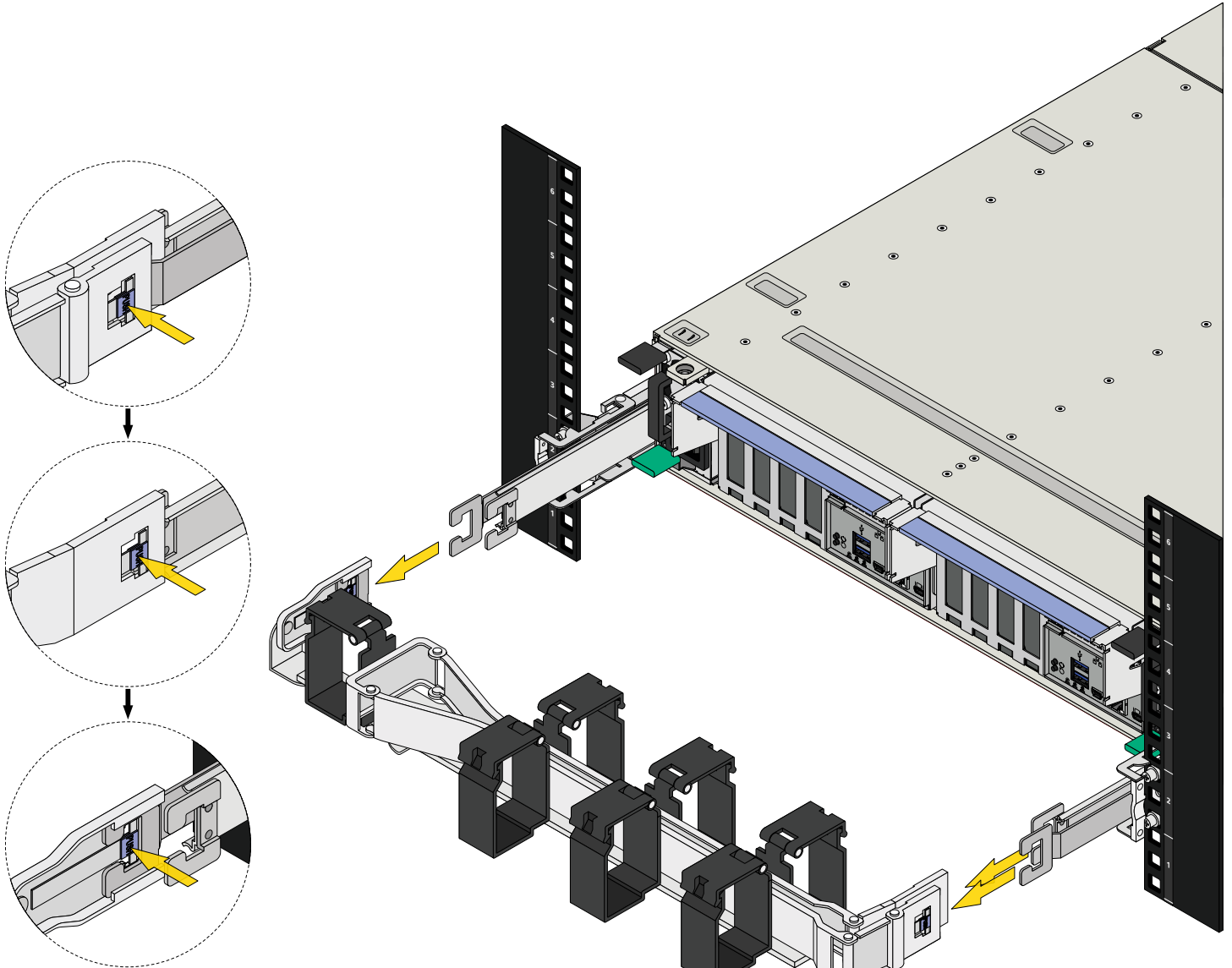
9 Unracking Procedure

Unplug all PSU, networking, and display cables, then open the baskets on the CMA and remove all the cables.

If you plan to re-install the system in the rack, be sure to label the cables so you can easily cable the system again.

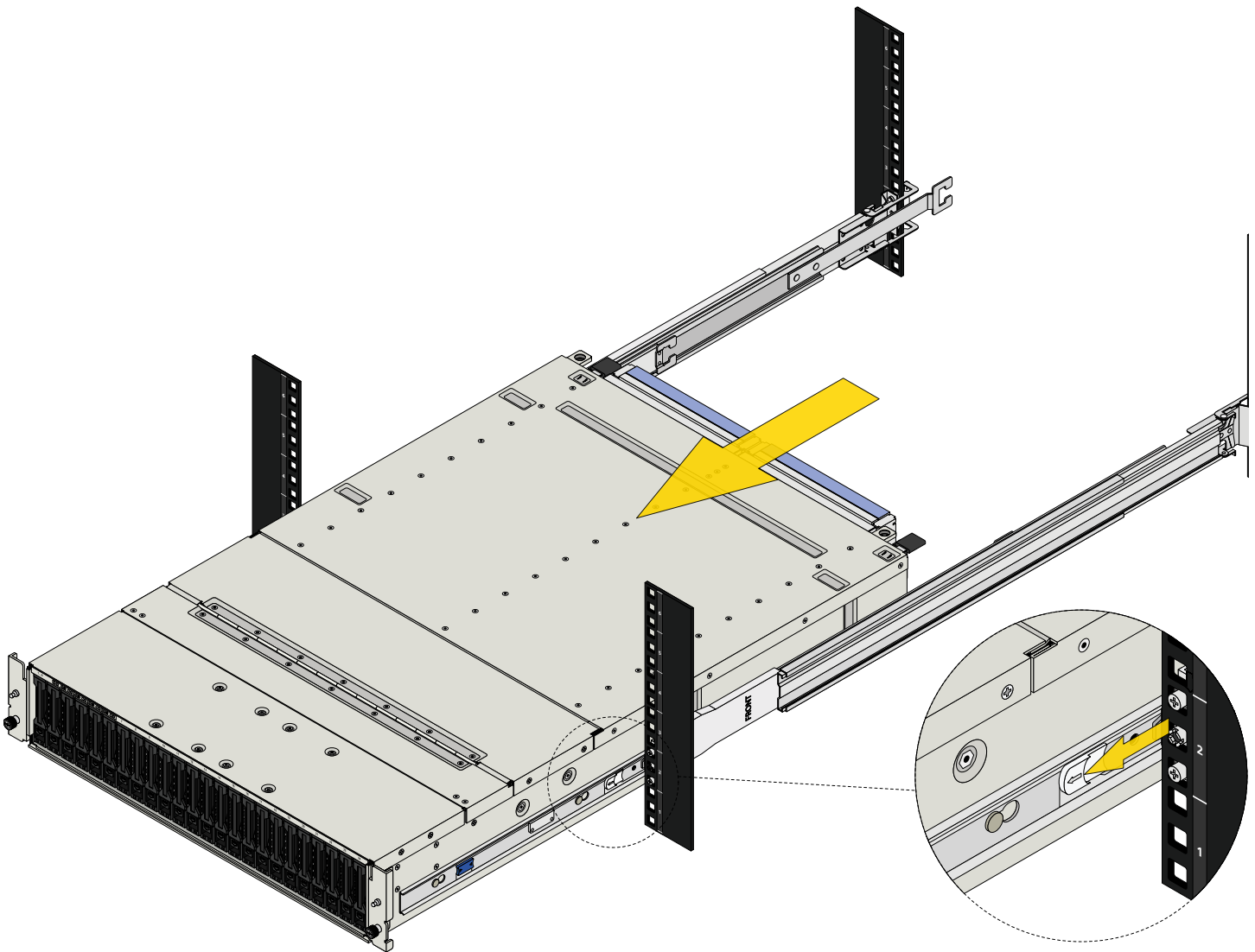
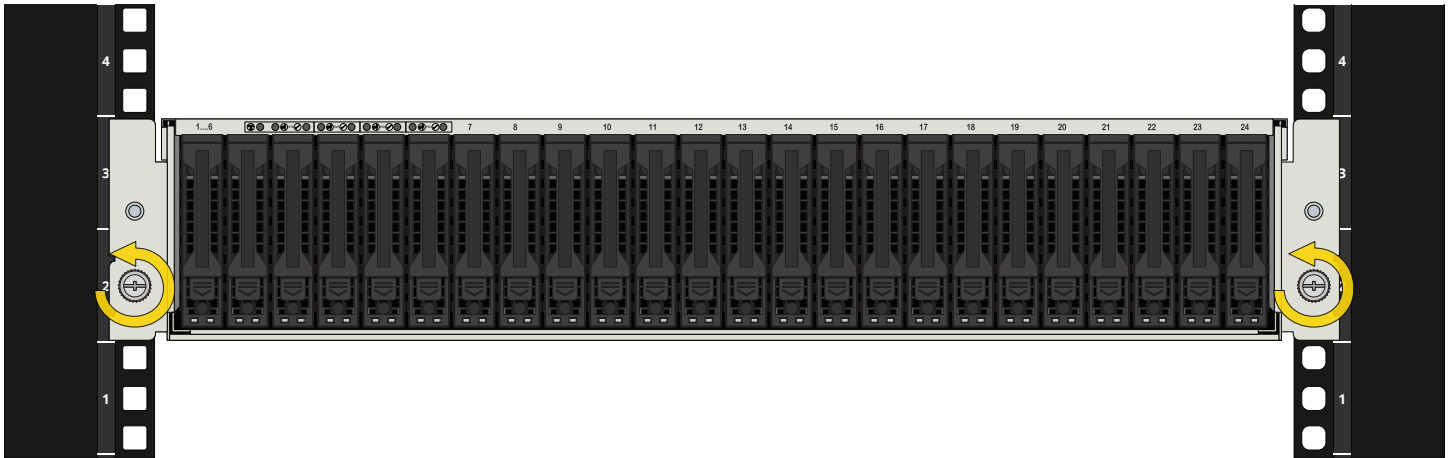
9.1 Remove the CMA

Starting with the right side, push the blue release on the outer post and pull the post off the bracket, then do the same for the inner post. Finally, push the blue release on the left CMA post and pull the CMA away from the system.



9.2 Uninstall the System from the Rack

Loosen the thumbscrews on the each system ear and pull the system out of the rack until it stops. Pull the white security tab on each chassis rail, then finish sliding the system out and team lift it out of the rack.

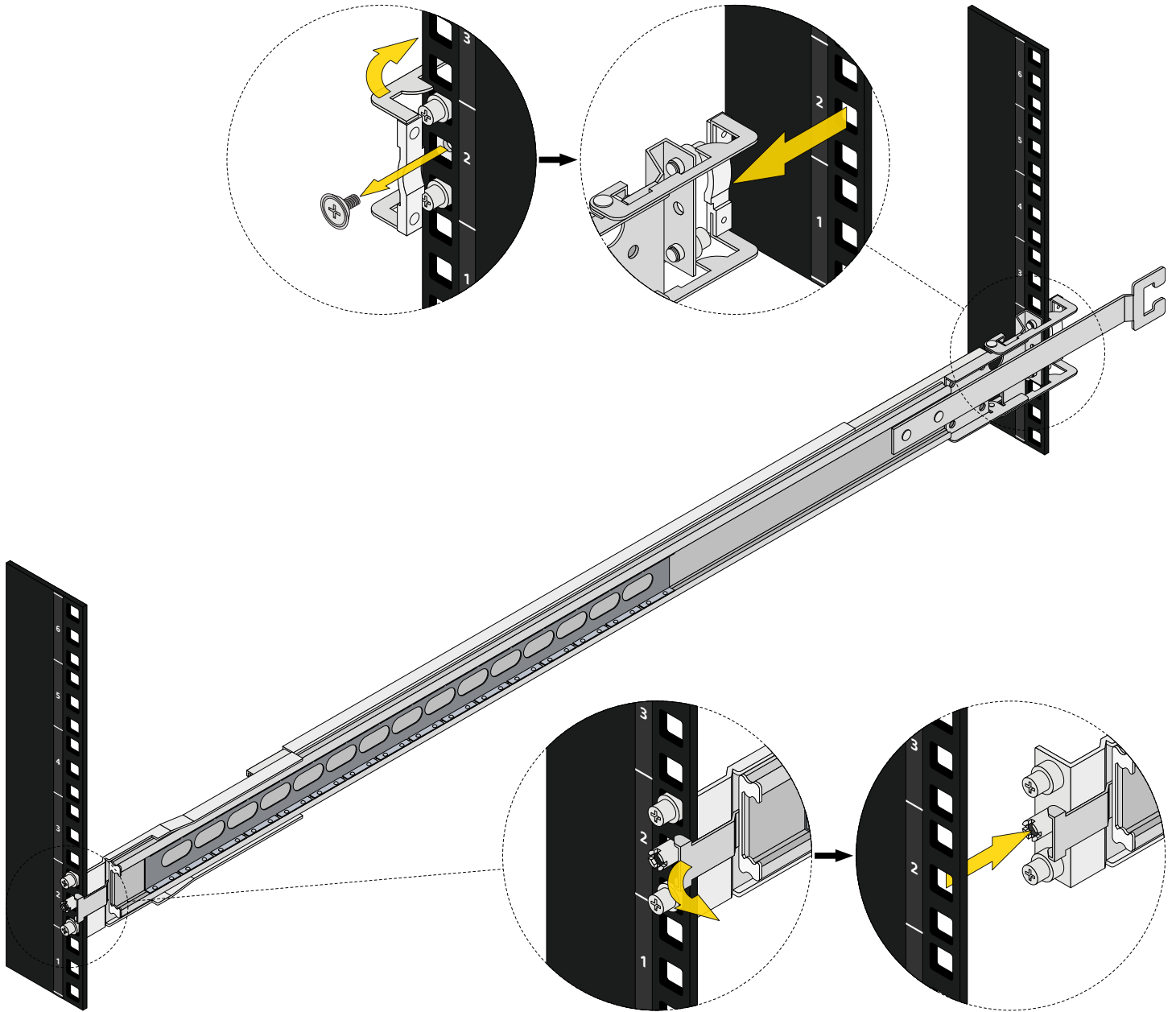


9.3 Remove the Rack Rails

At the back of one of the rails, remove the M5 screw, then swing the gray latch handle open and slide the end of the rail off the rack.

At the front of the rail, push the latch away from the rack and guide the rail pins out of the rack mounting holes.

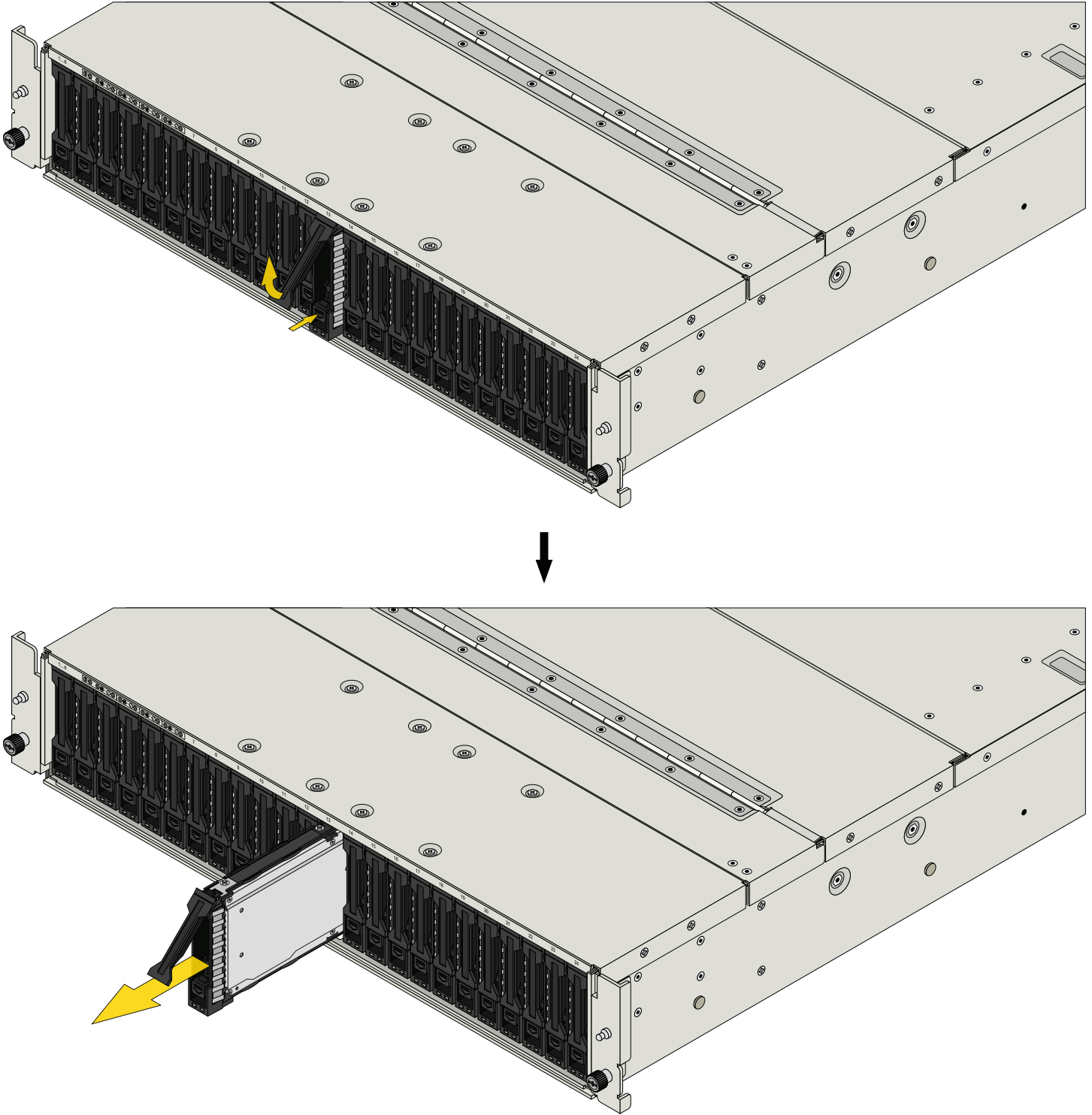
Repeat the process for the second rack rail.



10 Drive Replacement

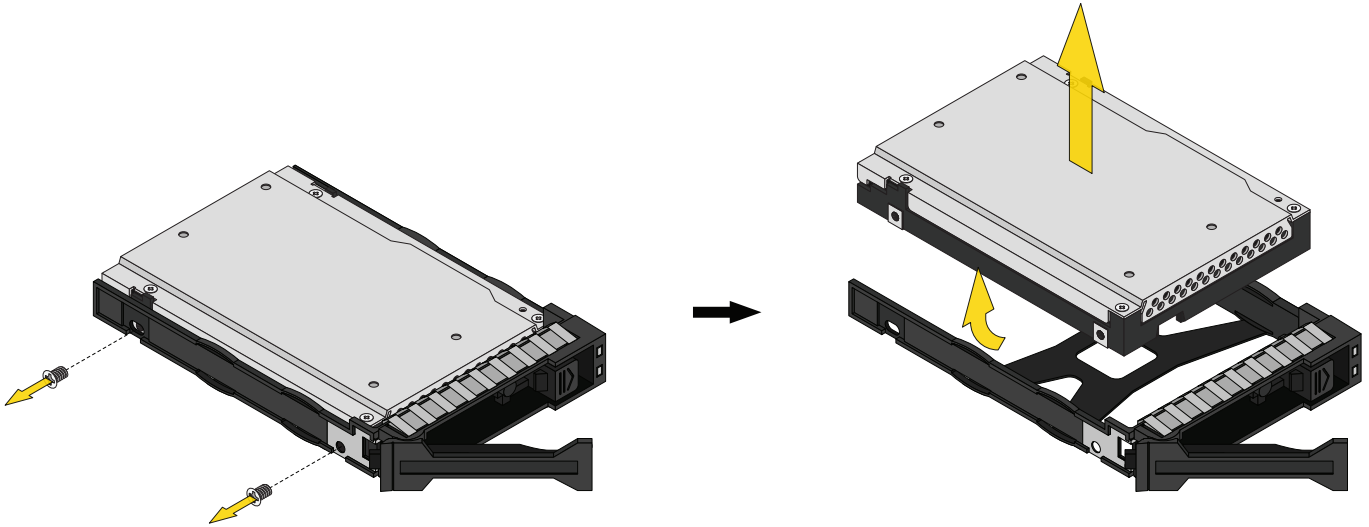
10.1 Remove Drive Tray

To remove a drive tray, push the button on the bottom end of the tray to release the locking arm. Gently open the arm until it stops, then pull the tray out from the system.



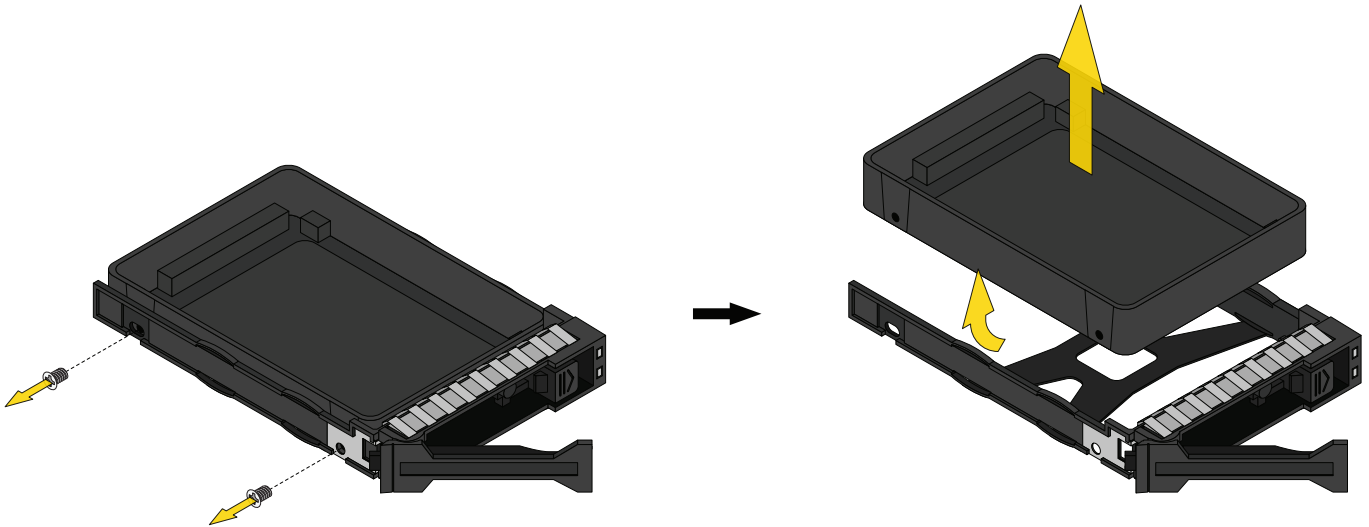
10.2 Remove a Drive From a Tray

Uninstall both SSD screws securing the drive to the tray, then gently lift the drive out of the tray screw-side first.



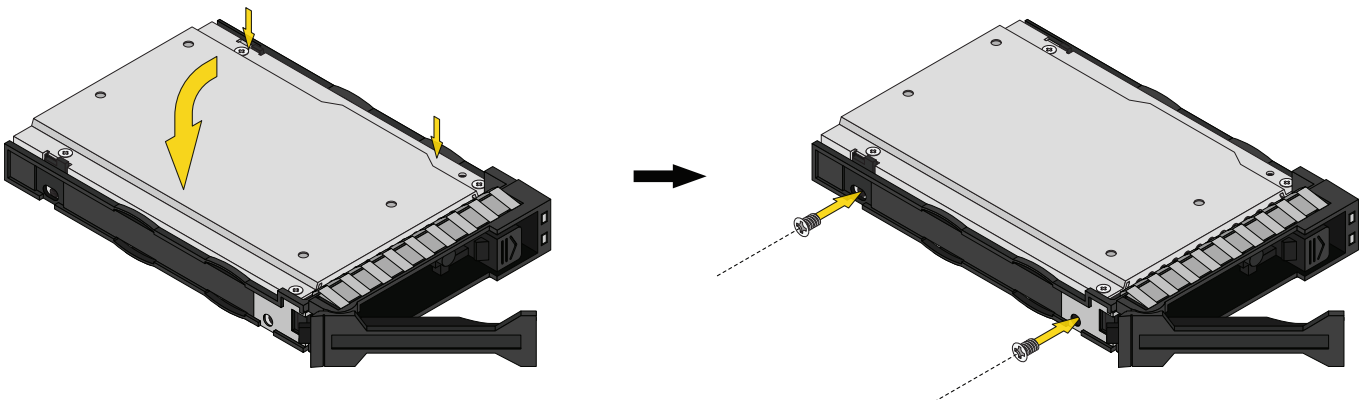
10.2.1 Removing Air Baffles to Replace with Drives

If you are replacing an air baffle with a new drive, uninstall both SSD screws securing the baffle to the tray, then gently lift the baffle out of the tray screw-side first.



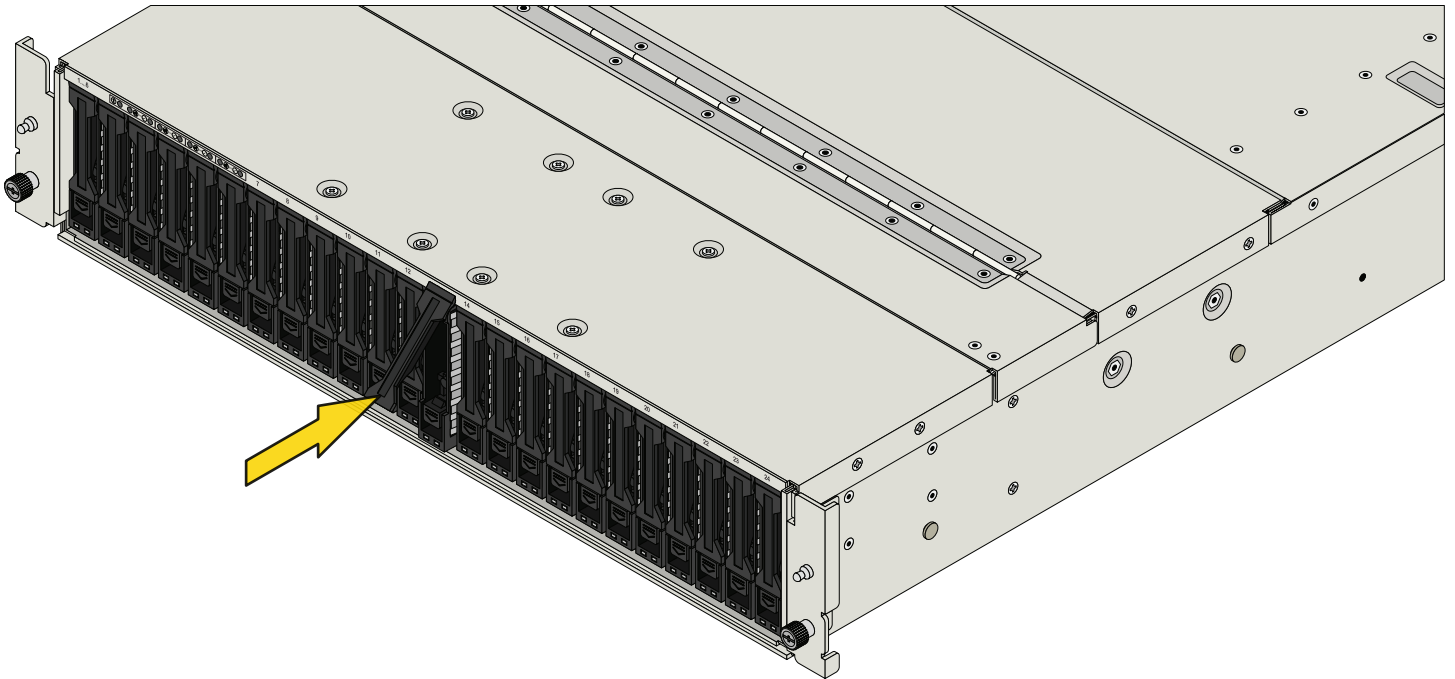
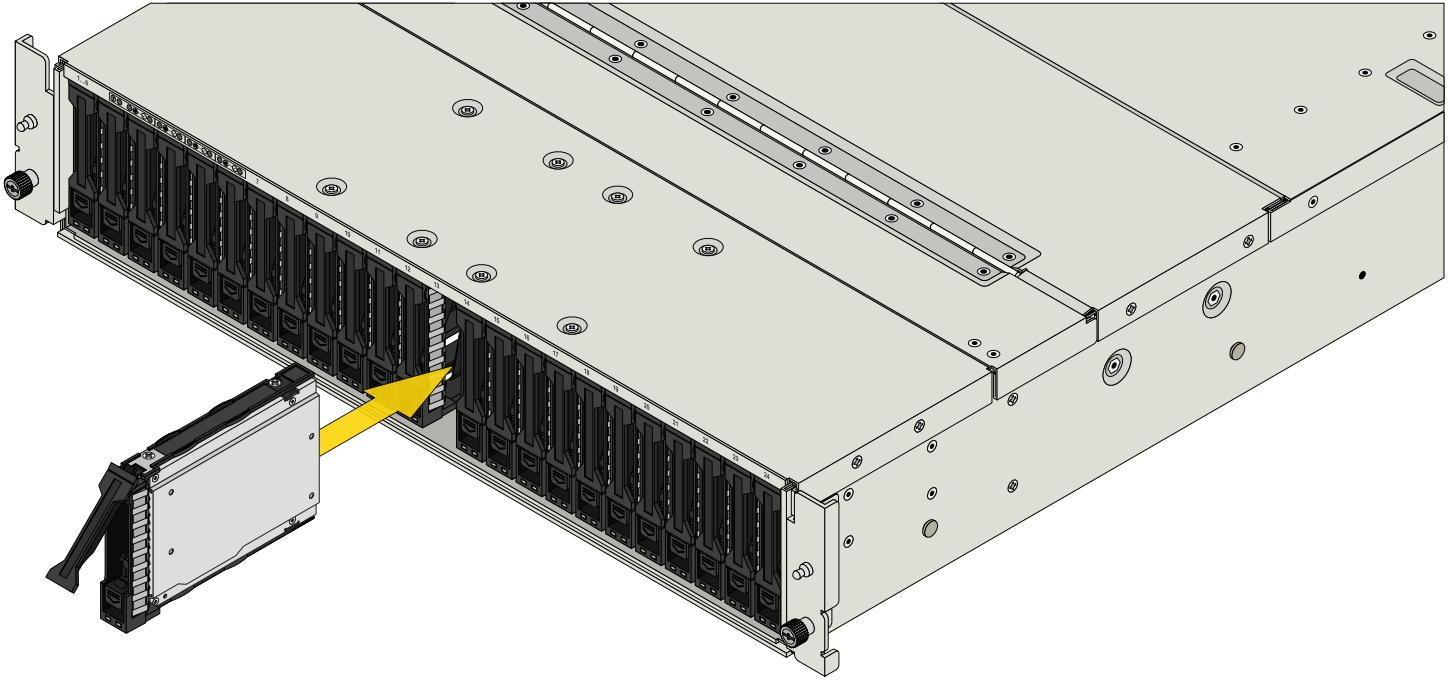
10.3 Install a Drive in a Tray

Ensure the drive connectors point out the back of the tray. Insert the drive into the tray peg-side first, then push the drive down into the tray. Secure the drive in the tray using two SSD screws.



10.4 Install a Drive Tray in the System

To remove a drive tray, push the button on the bottom end of the tray to release the locking arm. Gently open the arm until it stops, then pull the tray out from the system.



11 BMC Credentials

11.1 Default Password

The California Senate Bill 327 (SB 327) compliant default password for each baseboard management controller (BMC) can be found in your welcome email or the password stickers on each controller at the rear of the unit.

11.2 Changing BMC Password

ⓘ Note - Browser

We recommend using the Firefox web browser to access the BMC web interface. Chromium-based browsers might encounter bugs when accessing the BMC.

For each separate controller, you will need to connect a network cable to the IPMI Out of Band Management port, and also connect a monitor to the VGA port, and keyboard to the USB port.

After you connect a monitor to a controller, you will see the Console Setup Menu. Type 6, then press enter to access the SCALE CLI.

In the CLI prompt, enter `network ipmi query`. Enter the returned IP Address in your browser and use your default BMC credentials to log into the IPMI web interface.

Username: admin

Password: *Found on Controller Sticker*

```
[truenas]> network ipmi query
+-----+-----+-----+-----+-----+-----+
| channel | id | dhcp | ipaddress | netmask | gateway | vlan |
+-----+-----+-----+-----+-----+-----+
| 1       | 1 | false | 10.220.0.81 | 255.255.240.0 | 10.220.0.1 | <null> |
+-----+-----+-----+-----+-----+-----+

```

In the IPMI interface, go to **Settings > User Management** and select the 2nd user (admin), then check the **Change Password** box.

In the **Password**, and **Confirm Password** boxes, enter a new unique password.

Confirm the **Channel 1**, **Channel 2**, **Channel 8**, **KVM Access**, and **VMedia Access** boxes are enabled and ensure that **Privilege (Channel 1)**, **Privilege (Channel 2)**, and **Privilege (Channel 8)** are set to Administrator.

Click **Save** at the bottom.

📌 Tip - Description

If you have an HA system, repeat this process for the second controller.

12 Additional Resources

The TrueNAS Documentation Hub has complete software configuration and usage instructions. Click **Guide** in the TrueNAS web interface or go directly to:

<https://www.truenas.com/docs>

Additional hardware guides and articles are in the Documentation Hub's Hardware section:

<https://www.truenas.com/docs/hardware>

The TrueNAS Community forums provide opportunities to interact with other TrueNAS users and discuss their configurations:

<https://www.truenas.com/community>

13 Contacting iXsystems

Having issues? Please contact iX Support to ensure a smooth resolution.

Contact Method	Contact Options
Web	https://support.ixsystems.com
Email	support@ixsystems.com
Telephone	Monday-Friday, 6:00AM to 6:00PM Pacific Standard Time: <ul style="list-style-type: none">• US-only toll-free: 1-855-473-7449 option 2• Local and international: 1-408-943-4100 option 2
Telephone	Telephone After Hours (24x7 Gold Level Support only): <ul style="list-style-type: none">• US-only toll-free: 1-855-499-5131• International: 1-408-878-3140 (International calling rates will apply)